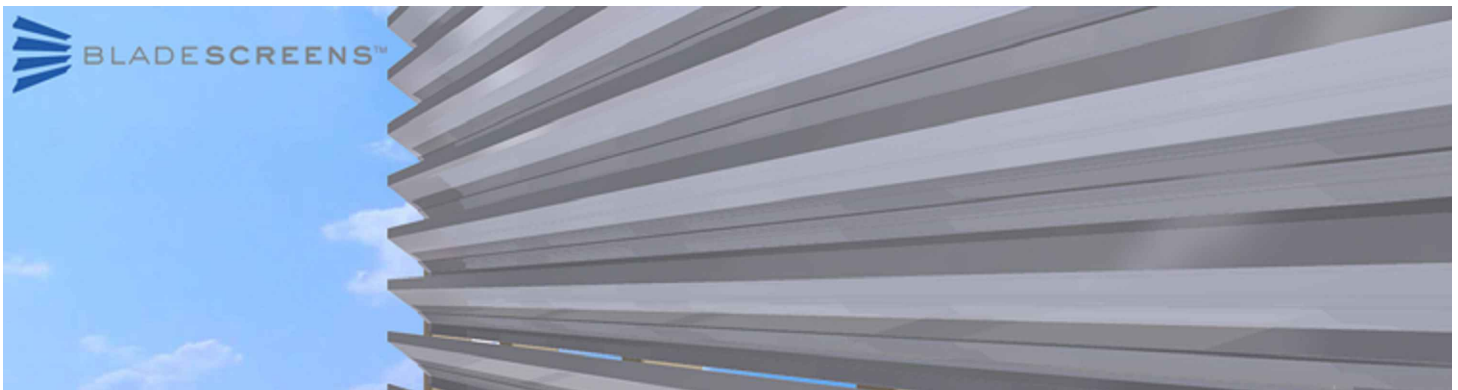
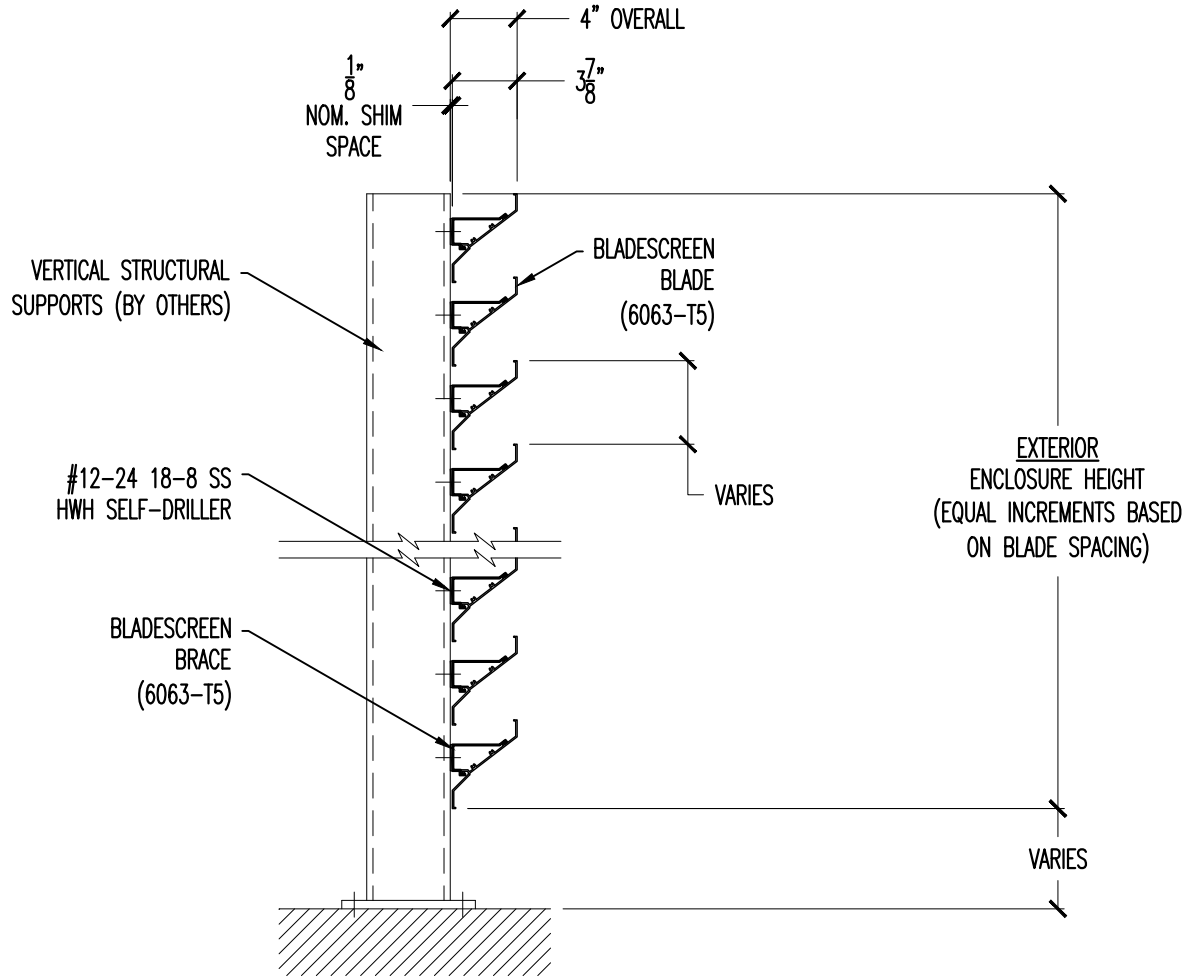
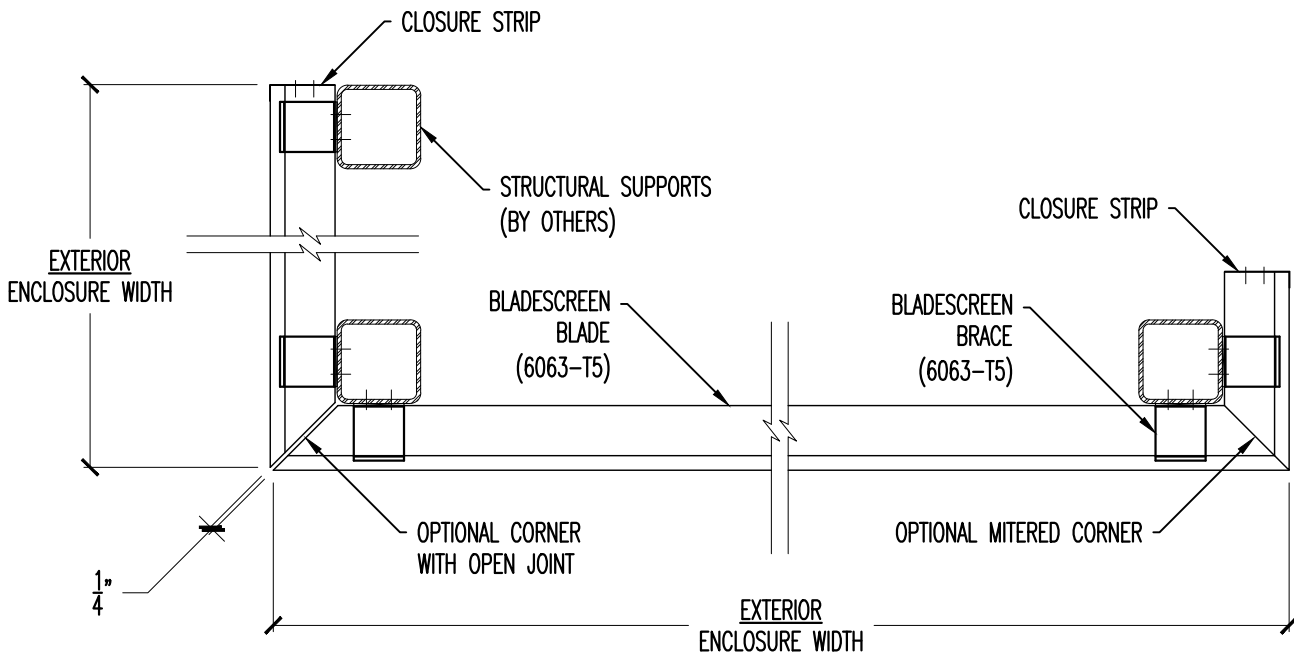


BladeScreens™ are an inverted, horizontal blade, secured to a receiver clip that is mechanically fastened to a continuous vertical support member. The blades are available in fixed member depths with a variable member-to-member spacing. Prefabricated corner assemblies are available in mechanically fastened and welded configurations. Each blade shall be 0.080 inch thick extruded aluminum (6063-T5) and shall be spaced at a frequency to accommodate the desired visual barrier. Standard details shown in the following pages.



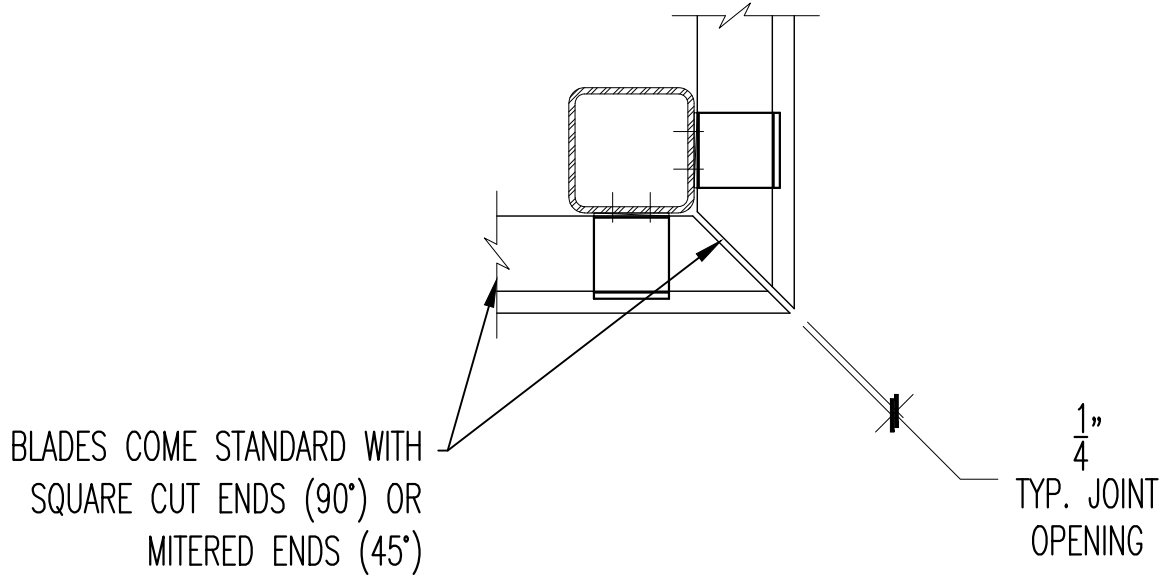


DETAIL: 1 BLADESCREENS STANDARD DETAILS MODEL 4H SECTION VIEW

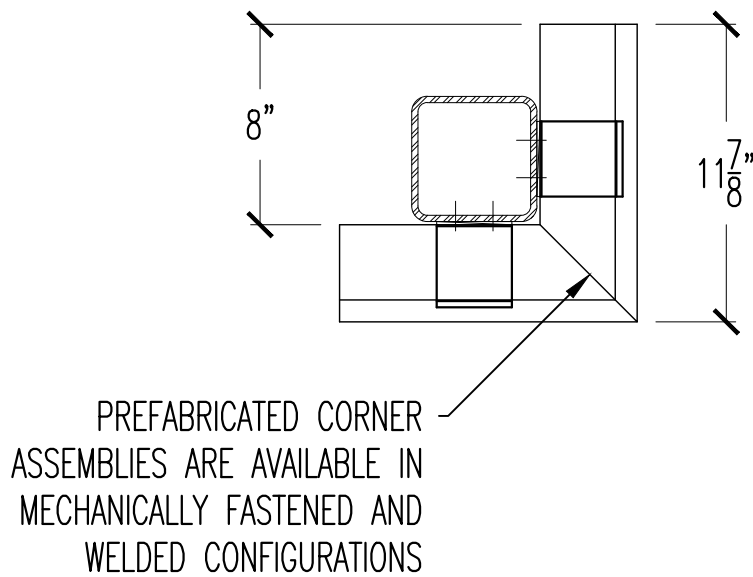


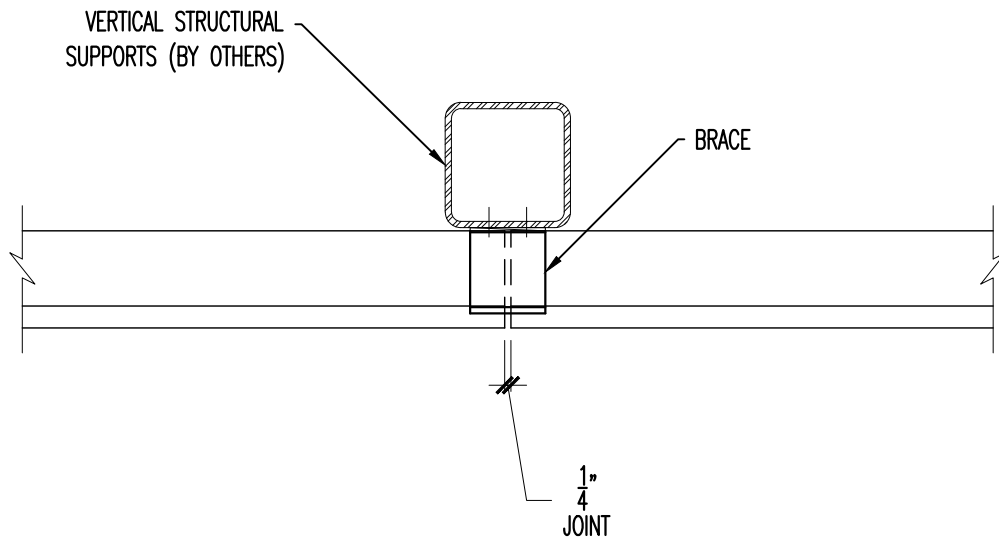


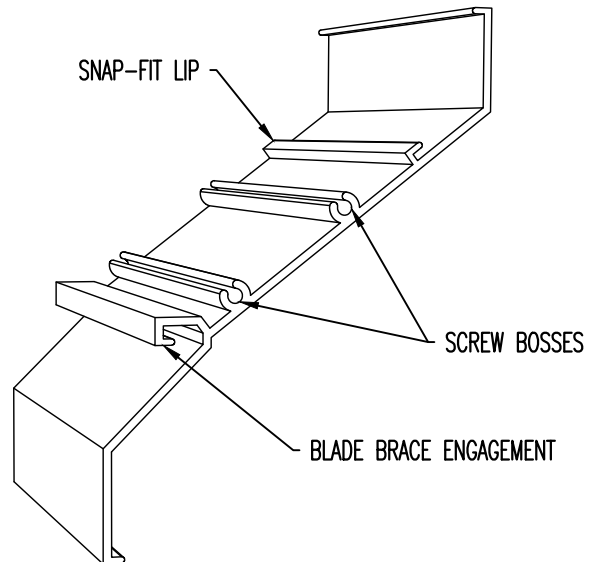
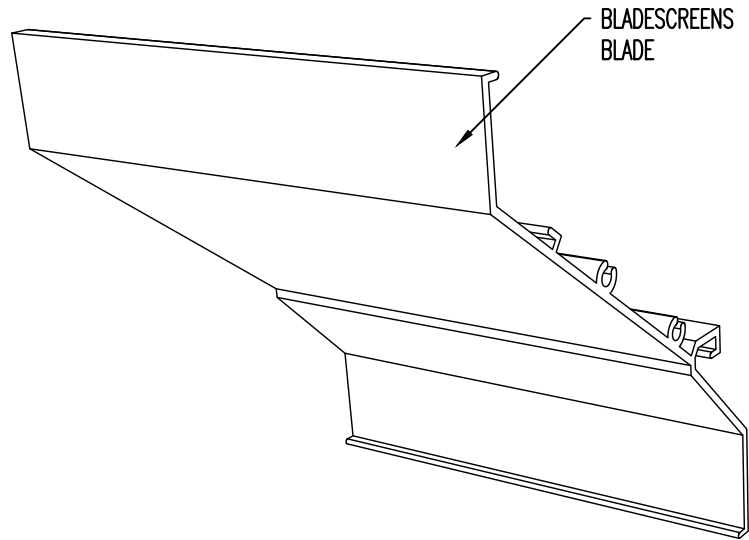
OPEN JOINT CORNER:

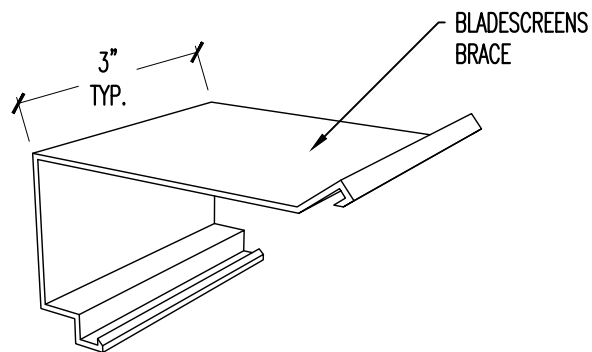
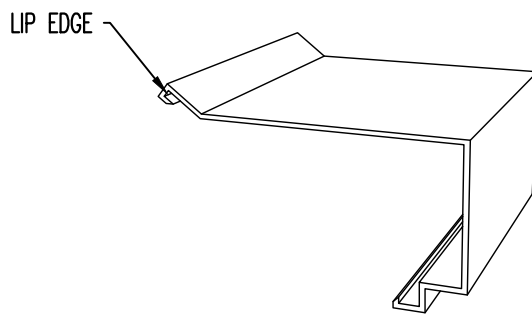


MITERED CORNER:

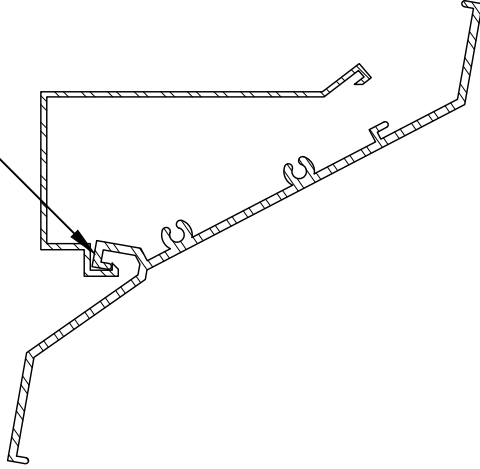




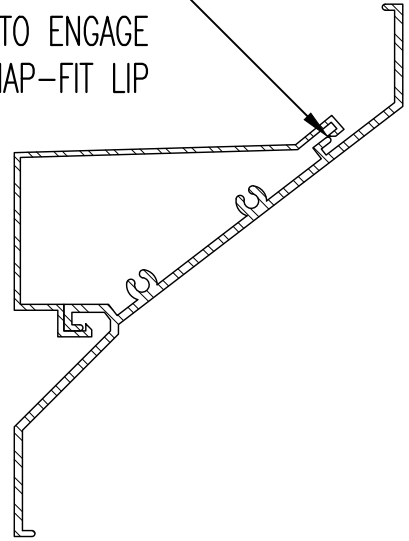




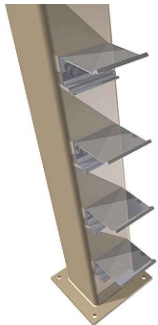
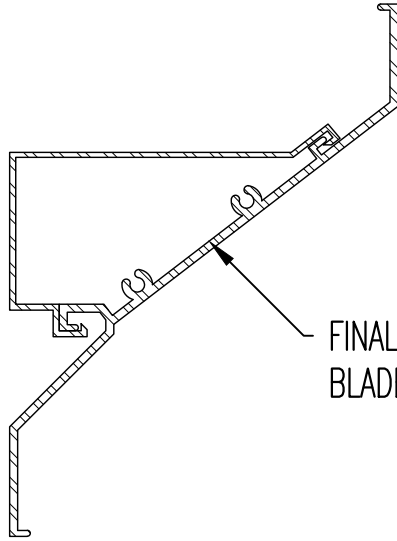
ENGAGE BLADE
TO BRACE STOP



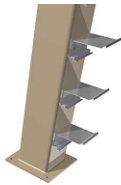
ROTATE
BLADE TO ENGAGE
SNAP-FIT LIP



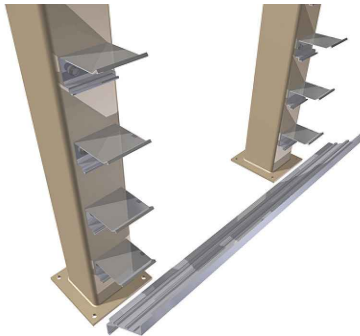
FINAL
BLADE PLACEMENT



1



2



3

