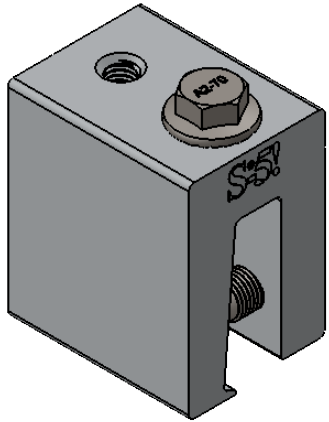
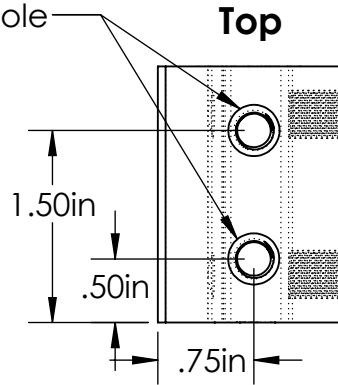


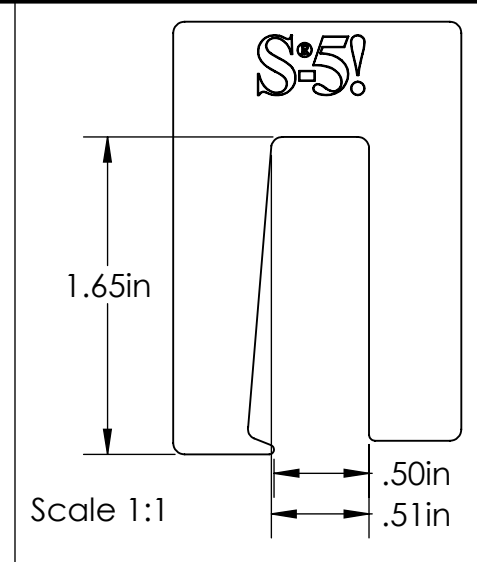
S-5-N 1.5



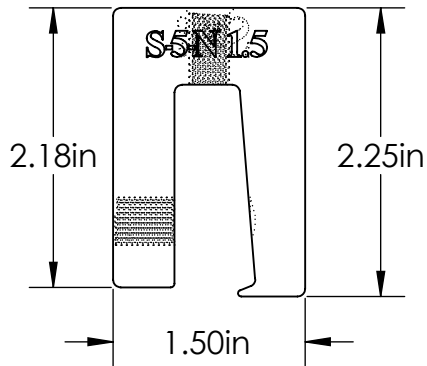
(2x) M8-1.25 Threaded Hole



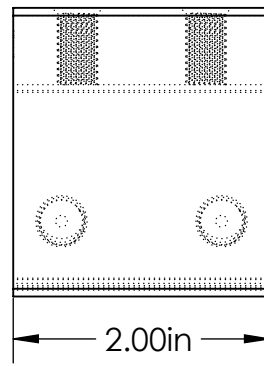
(2x) 3/8-24 Threaded Hole



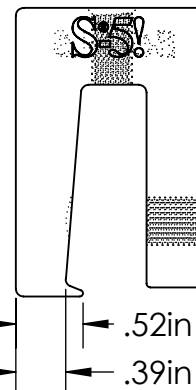
Back



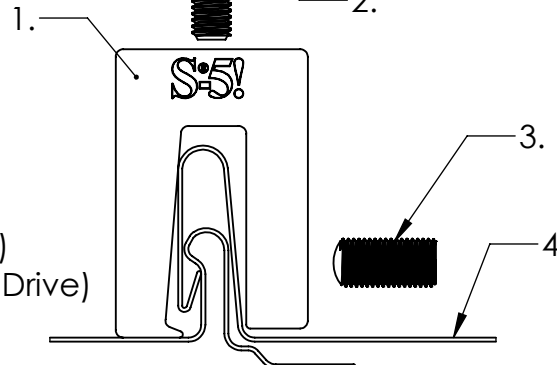
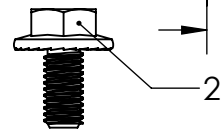
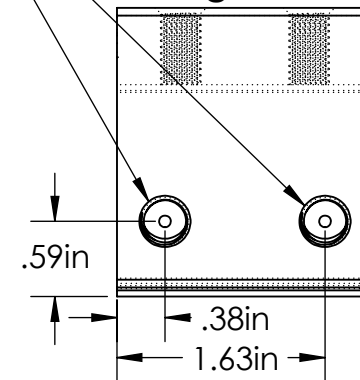
Left



Front



Right



General Notes:

1. S-5-N 1.5 Clamp
2. M8-1.25 SS Hex Flange Bolt (13mm Socket)
3. 3/8-24 SS Round Point Setscrew (3/16 Hex Drive)
4. Example Roof

FOR STANDING SEAM SPECIFIC MECHANICAL LOAD TEST INFORMATION AND CLAMP INSTALLATION INFORMATION PLEASE VISIT: WWW.S-5.COM

MATERIAL: 6061 T6 Al			METAL ROOF INNOVATIONS, LTD. 8655 TABLE BUTTE RD COLORADO SPRINGS, CO 80908 719-495-0518 719-495-0045(FAX)	
EST ASSEMBLY WEIGHT: 0.515 lbs			TITLE S-5-N 1.5	
SUPPLIED HARDWARE: M8-1.25 x 1.6 mm Bolt (2X) 3/8-24 x .800" Setscrews	DRAWING NO. N150-A-2-C	DRAWN BY Paul Leitch	DATE 5/12/2017	
SCALE: 1:1.5	EST. WEIGHT: Clamp: 0.446 lbs Setscrew: 0.0170 lbs Bolt: 0.0345 lbs			
S-5!® PRODUCTS ARE PROTECTED BY MULTIPLE U.S. AND FOREIGN PATENTS. VISIT OUR WEBSITE AT WWW.S-5.COM FOR COMPLETE INFORMATION ON PATENTS AND TRADEMARKS.				