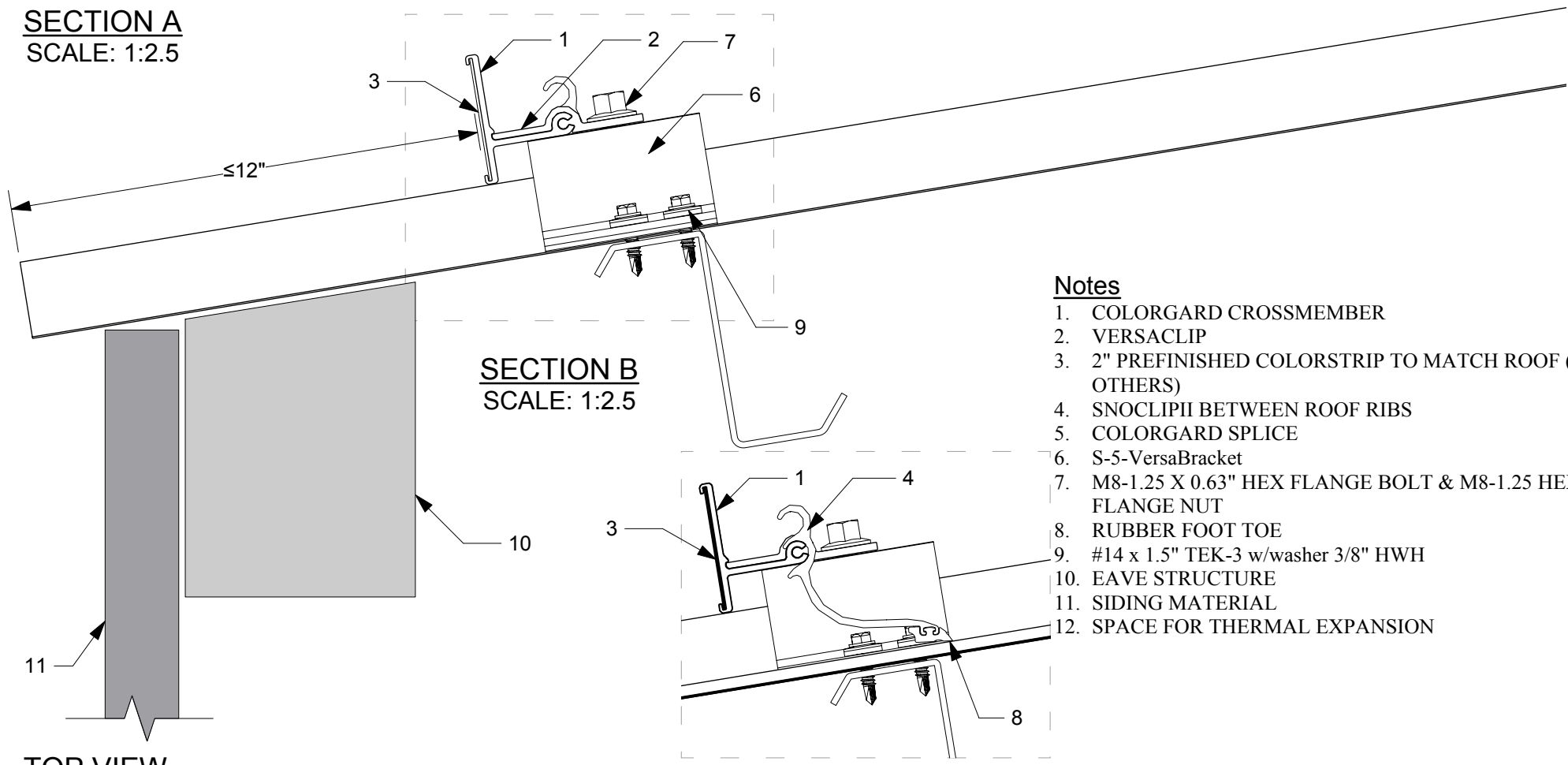
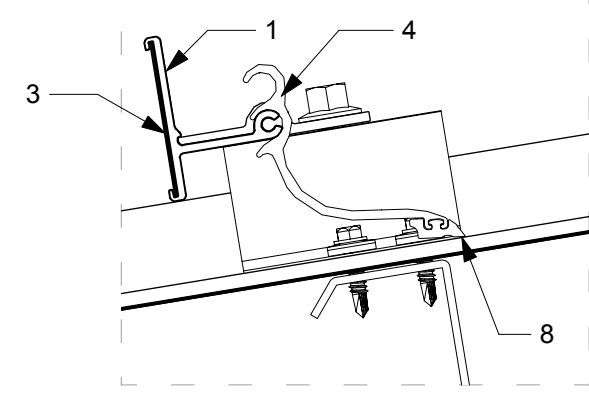


SECTION A
SCALE: 1:2.5



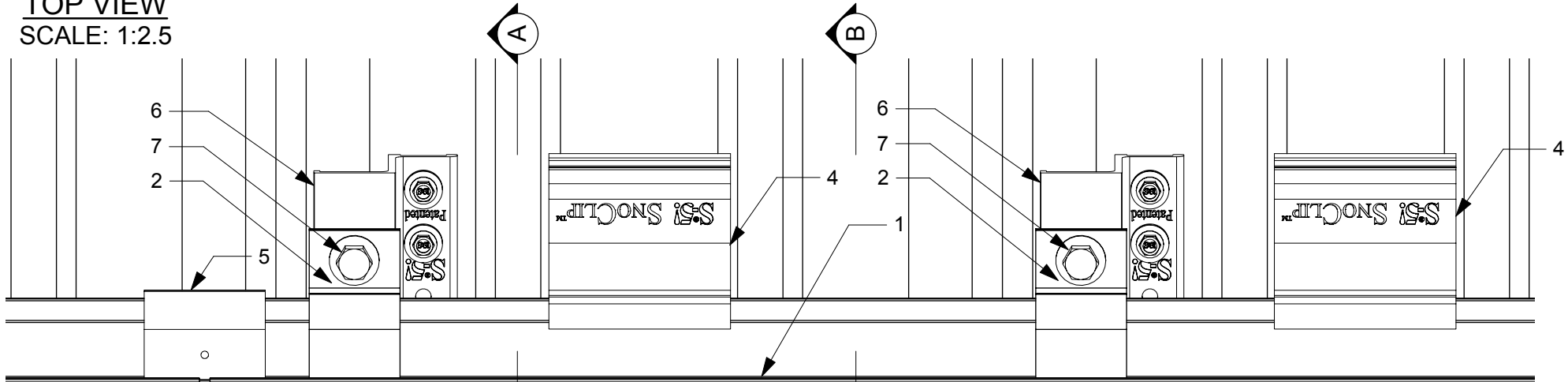
SECTION B
SCALE: 1:2.5



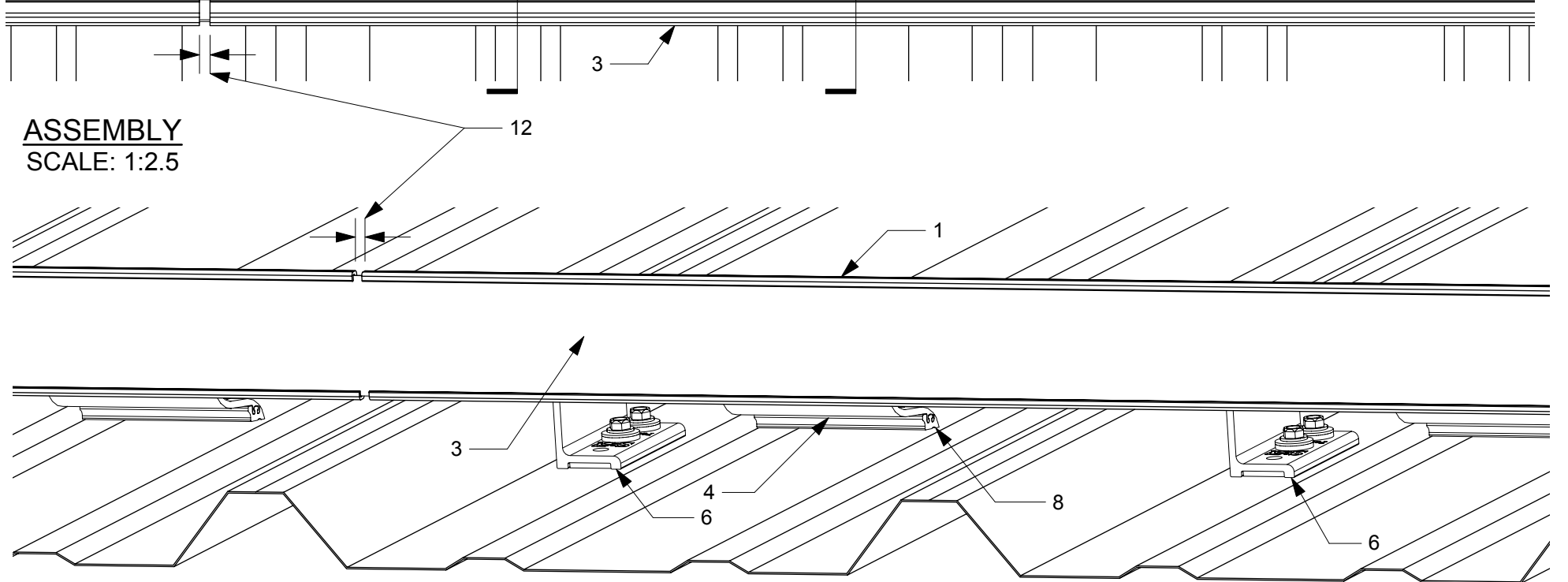
Notes

1. COLORGARD CROSSMEMBER
2. VERSACLIP
3. 2" PREFINISHED COLORSTRIP TO MATCH ROOF (BY OTHERS)
4. SNOCLIP BETWEEN ROOF RIBS
5. COLORGARD SPLICE
6. S-5-VersaBracket
7. M8-1.25 X 0.63" HEX FLANGE BOLT & M8-1.25 HEX FLANGE NUT
8. RUBBER FOOT TOE
9. #14 x 1.5" TEK-3 w/washer 3/8" HWH
10. EAVE STRUCTURE
11. SIDING MATERIAL
12. SPACE FOR THERMAL EXPANSION

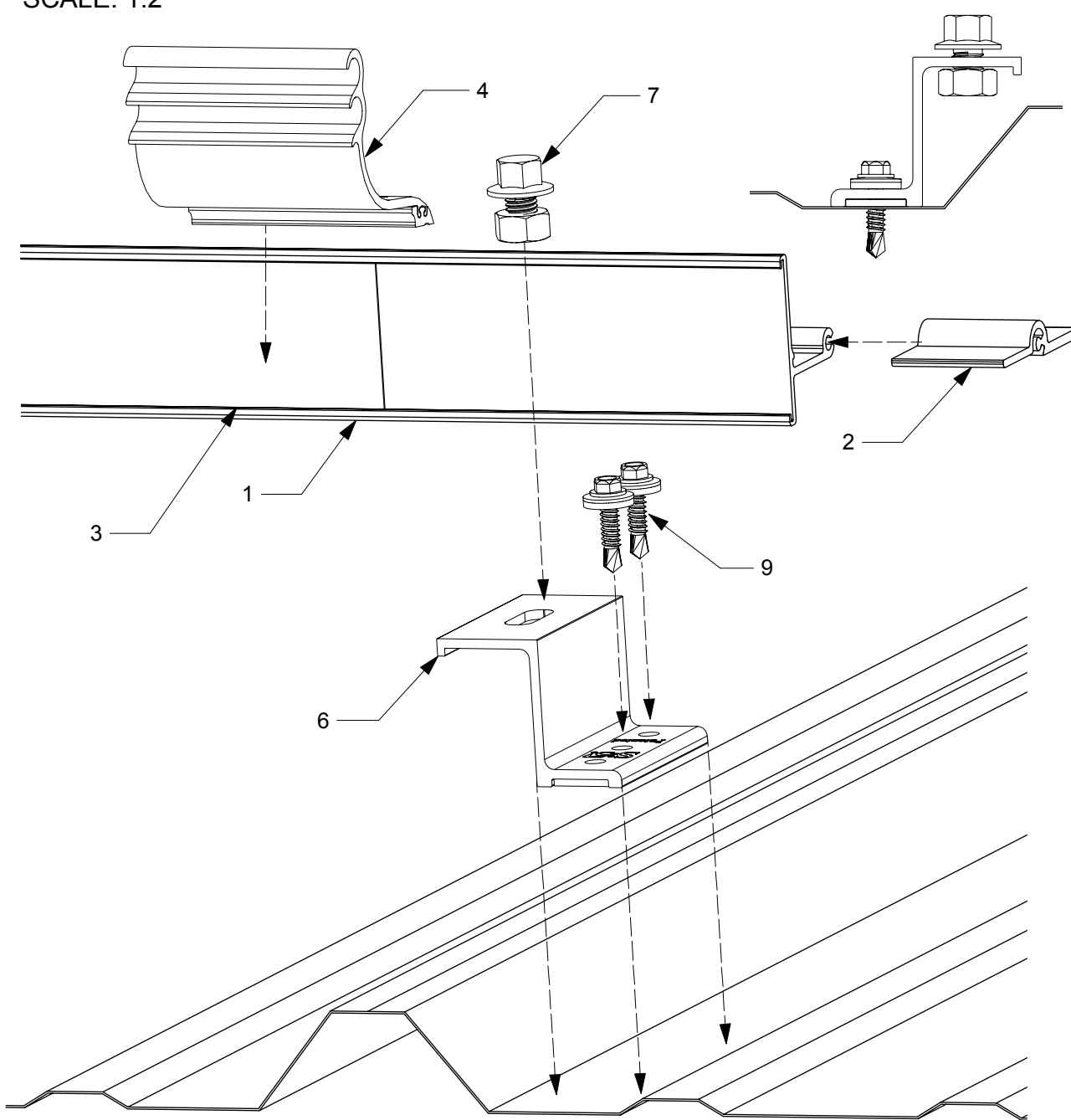
TOP VIEW
SCALE: 1:2.5



ASSEMBLY
SCALE: 1:2.5



COMPONENTS
SCALE: 1:2



DRAWING TITLE:
VersaBracket 47 PURLIN
ColorGard Assembly

DRAWING NUMBER:
S-5-VB47CG 200

ISSUE DATE:
September 18, 2013

CLAMP:
S-5-VB 47

CLAMP WEBPAGE:
http://www.s-5.com/clamps/index_71.cfm

CROSS MEMBER:
Unpunched ColorGard

CROSS MEMBER WEBPAGE:
http://www.s-5.com/snow/index_1146.cfm

CALCULATOR:
Calculator

CALCULATOR WEBPAGE:
<http://www.s-5.com/calculator/index.cfm>

METAL ROOF INNOVATIONS, LTD.
8655 TABLE BUTTE RD
COLORADO SPRINGS, CO 80908
719-495-0518
888-825-3432
www.S-5.com

S-5!® PRODUCTS ARE PROTECTED BY MULTIPLE U.S. PATENTS INCLUDING 5,228,248, 5,983,588 AND 6,164,033 (OTHERS ISSUED AND PENDING). EUROPEAN PATENTS ARE ALSO APPLIED FOR AND PENDING UNDER THE PATENT COOPERATION TREATY WITH DIVISIONAL FILING RIGHTS RETAINED. METAL ROOF INNOVATIONS, LTD. (LICENSOR OF S-5!® TECHNOLOGY) AGGRESSIVELY PROSECUTES PATENT INFRINGEMENT.