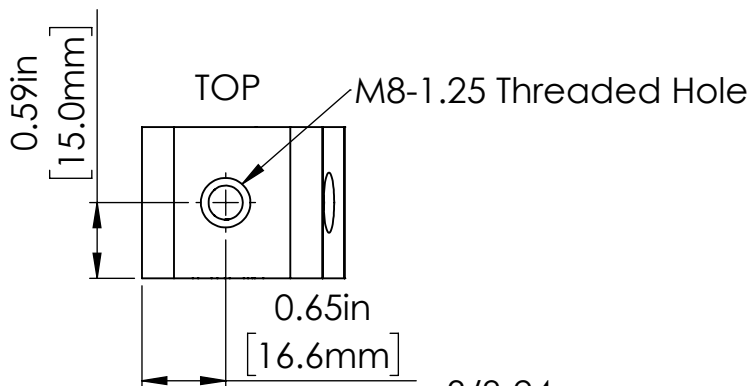
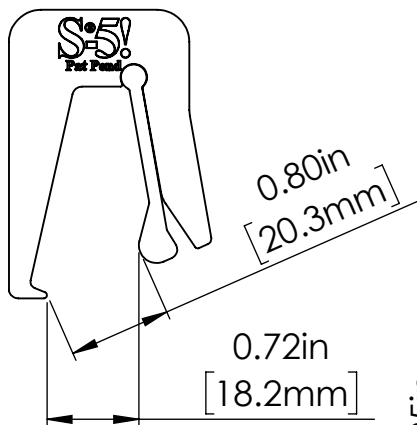
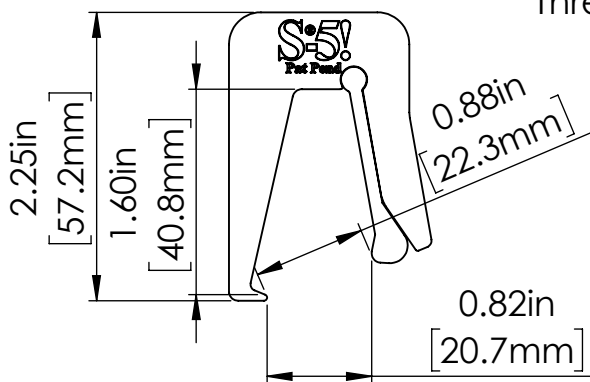


INSERT FLIPPED

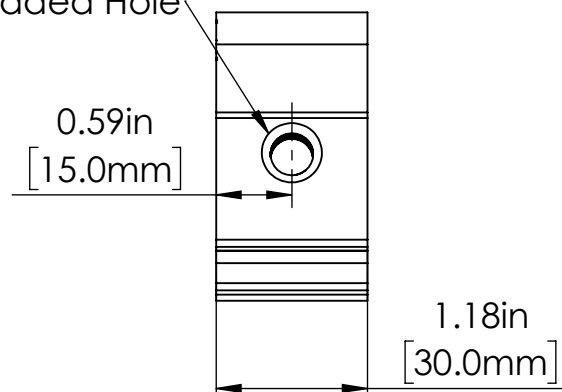


FRONT



3/8-24 Threaded Hole

RIGHT

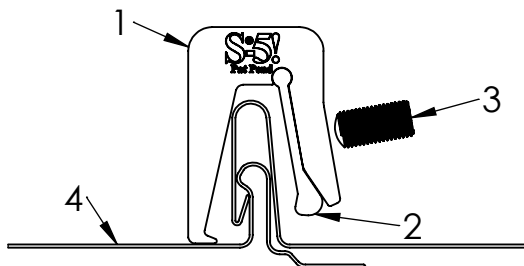


Important Note: S-5-NH 1.5 Mini is intended for 1.5" tall nail strips that are between 0.475" - 0.80" wide [12 - 21 mm]

Important Note: Insert is intended to bend and the roof material is intended to compress when setscrew is torqued

General Notes:

1. S-5-NH 1.5 Mini Clamp Body
2. S-5-NH 1.5 Mini Insert
3. Round Point Setscrew
4. Example Roof



FOR STANDING SEAM SPECIFIC MECHANICAL LOAD TEST INFORMATION AND CLAMP INSTALLATION INFORMATION PLEASE VISIT: WWW.S-5.COM

MATERIAL: 6061 T6				METAL ROOF INNOVATIONS, LTD. 8655 TABLE BUTTE RD COLORADO SPRINGS, CO 80908 719-495-0518 719-495-0045(FAX)		
EST ASSEMBLY WEIGHT 0.240 lbs [.109 kg]						
SUPPLIED HARDWARE: 3/8-24 x .900" Setscrew	TITLE S-5-NH 1.5 Mini [CCD]					
SCALE: 2:3	DRAWING NO. NH150-A-1-B	DRAWN BY JW	DATE 9/8/2020			
<small>S-5!® PRODUCTS ARE PROTECTED BY MULTIPLE U.S. PATENTS INCLUDING 5,228,248, 5,983,588 AND 6,164,033 (OTHERS ISSUED AND PENDING). EUROPEAN PATENTS ARE ALSO APPLIED FOR AND PENDING UNDER THE PATENT COOPERATION TREATY WITH DIVISIONAL FILING RIGHTS RETAINED. METAL ROOF INNOVATIONS, LTD. (LICENSOR OF S-5!® TECHNOLOGY) AGGRESSIVELY PROSECUTES PATENT INFRINGEMENT.</small>						